

**maxGUARD  
AMG AM CO****Weidmüller Interface GmbH & Co. KG**

Klingenbergstraße 16

D-32758 Detmold

Germany

Fon: +49 5231 14-0

Fax: +49 5231 14-292083

www.weidmueller.com



Efficient machine and facility operation calls for fail-safe and maintenance-friendly control voltage distribution that can be installed in a time and space-saving manner.

With the new maxGUARD system, the terminal blocks (previously installed separately) for distributing potential to the outputs of the electronic load monitors become an integral part of a 24 V DC control voltage distribution system.

The innovative combination of load monitoring and potential distribution saves time during installation, increases safety against failure and reduces the amount of space required on the terminal rail by 50%.

**General ordering data**

Type	AMG AM CO
Order No.	<a href="#">2082770000</a>
Version	Alarm module, 24 V DC
GTIN (EAN)	4050118419375
Qty.	1 pc(s).

**maxGUARD  
AMG AM CO**

**Weidmüller Interface GmbH & Co. KG**  
 Klingenbergstraße 16  
 D-32758 Detmold  
 Germany  
 Fon: +49 5231 14-0  
 Fax: +49 5231 14-292083  
 www.weidmueller.com

**Technical data****Dimensions and weights**

Width	12.2 mm	Width (inches)	0.48 inch
Height	125 mm	Height (inches)	4.921 inch
Depth	96.5 mm	Depth (inches)	3.799 inch
Net weight	79.4 g		

**Temperatures**

Operating temperature, max.	55 °C	Operating temperature, min.	-25 °C
Storage temperature, max.	85 °C	Storage temperature, min.	-40 °C
Operating temperature	-25 °C...55 °C	Storage temperature	-40 °C...85 °C

**Probability of failure**

MTTF	550 Years
------	-----------

**Input**

Current consumption (full load)	30 mA	Current consumption (idle)	25 mA
DC input voltage range	18...30 V DC	Input fuse (internal)	No
Rated input voltage	24 V DC	Surge protection	Suppressor diode
max. admissible residual ripple at the input	100 mVpp		

**output**

Connection system	PUSH IN	Surge protection	Suppressor diode
-------------------	---------	------------------	------------------

**General data**

Conformal coating	Yes	Control inputs	No
Operating temperature	-25 °C...55 °C	Protection degree	IP20
Surge voltage category	III		

**Insulation coordination**

Surge voltage category	III
------------------------	-----

**Connection data (output)**

Conductor cross-section, AWG/kcmil , max.	12	Conductor cross-section, AWG/kcmil , min.	26
Conductor cross-section, flexible , max.	2.5 mm <sup>2</sup>	Conductor cross-section, flexible , min.	0.14 mm <sup>2</sup>
Conductor cross-section, rigid , max.	2.5 mm <sup>2</sup>	Conductor cross-section, rigid , min.	0.14 mm <sup>2</sup>
Connection system	PUSH IN	Number of terminals	4 (2 x NO)
Screwdriver blade	0.6 x 3.5		

**Connection data (signal)**

Wire connection cross-section, flexible (signal), max.	2.5 mm <sup>2</sup>
--	---------------------

**Data sheet**

**maxGUARD  
AMG AM CO**


**Weidmüller Interface GmbH & Co. KG**  
Klingenbergstraße 16  
D-32758 Detmold  
Germany  
Fon: +49 5231 14-0  
Fax: +49 5231 14-292083  
www.weidmueller.com

**Technical data**

**Signalling**

Floating contact	Yes	LED red	Alarm
LED yellow	Current > 90% Inom (flashing)	Status relay (max. load)	Alarm (24 V / 0.1 A), I > 90% (24 V / 0.1 A)
Transistor output, positive-switching	Pre-warning, Alarm		

**Approvals**

Institute (cULus)		Certificate no. (cULus)	E258476
-------------------	---	-------------------------	---------

**Classifications**

ETIM 6.0	EC002057	eClass 6.2	27-37-15-02
eClass 9.1	27-37-10-16		

**Approvals**

Approvals



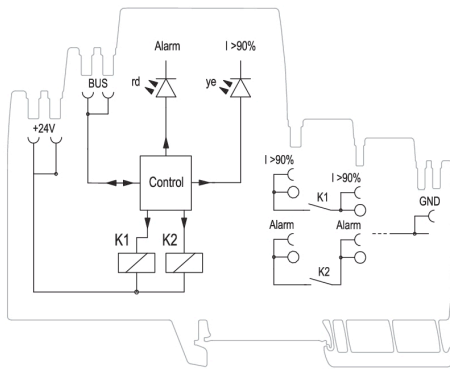
ROHS	Conform
------	---------

**Downloads**

Engineering Data	<a href="#">EPLAN</a>
Engineering Data	<a href="#">STEP</a>
User Documentation	<a href="#">Manual_maxGUARD</a> <a href="#">Operating instructions</a>

**maxGUARD  
AMG AM CO**

**Weidmüller Interface GmbH & Co. KG**  
Klingenbergstraße 16  
D-32758 Detmold  
Germany  
Fon: +49 5231 14-0  
Fax: +49 5231 14-292083  
www.weidmueller.com

**Drawings**

Schematic circuit diagram